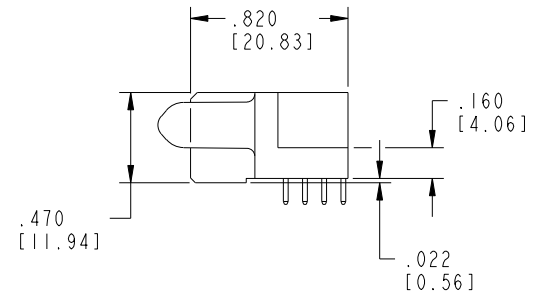
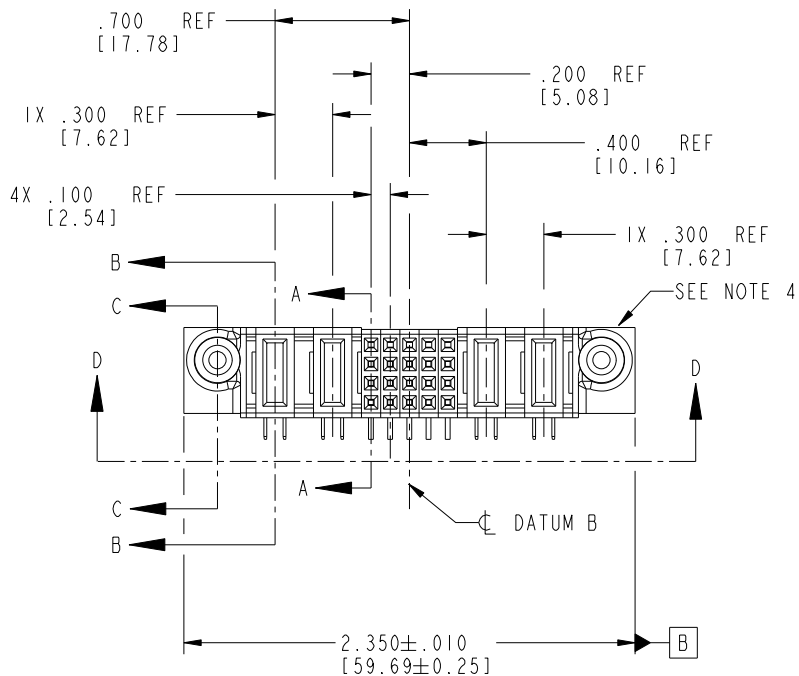
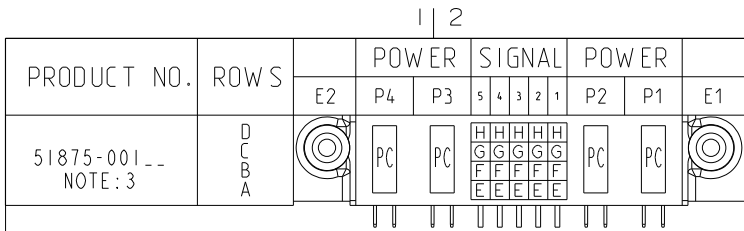


Tous droits strictement réservés. Reproduction ou communication a des tiers interdite sous quelque forme que ce soit sans autorisation écrite du propriétaire. Propriété de c FCI. Droits de reproduction FCI.

All rights strictly reserved. Reproduction or issue to third parties in any form whatever is not permitted without written authority from the proprietor. Property of FCI. Copyright FCI.



CODE	DIM "M" MATING LENGTH	CONTACT TYPE
E	N/A [N/A]	SIGNAL
F	N/A [N/A]	SIGNAL
G	N/A [N/A]	SIGNAL
H	N/A [N/A]	SIGNAL
PC	.092 [2.34]	POWER

mat'l code SEE NOTE 2				tolerances unless otherwise specified		CUSTOMER			
ltr	ecn no.	dr	date	linear	.XX±.01/0.X±0.3	COPY		www.fciconnect.com	
A	V20339	JWS	02-22-02		.XXX±.005/0.XX±0.13	projection		title 2P + 20S + 2P	
B	DG05-0336	CS	09/19/05		.XXX±.0020/0.XXX±0.051			RIGHT ANGLE SPECIAL RECEPTACLE	
C	DG08-0251	W D	09/16/08	angles	0°±2°	INCH/MM		product family PwrBlade code 213	
				dr	J. SHAFFER 02-22-02	scale 1:1		size dwg no A 51875-001 sheet 1 of 4	
				engr	J. ALLISON 02-22-02				
				chr	J. ALLISON 02-22-02				
				appd	J. ALLISON 02-22-02				
sheet index	revision sheet	C 1	C 2	C 3	C 4				

Pro/E

PDM: Rev: C

STATUS: Released

Printed: Sep 21, 2008

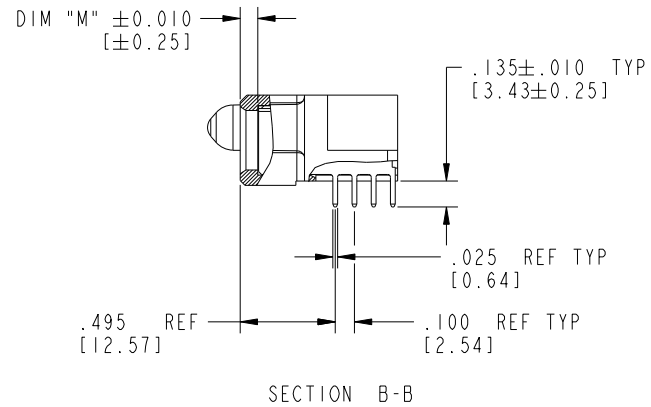
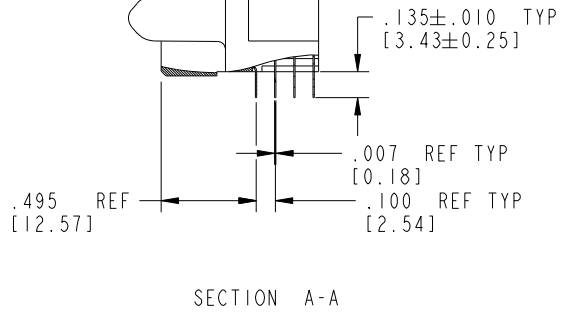
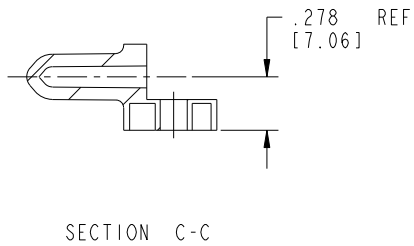
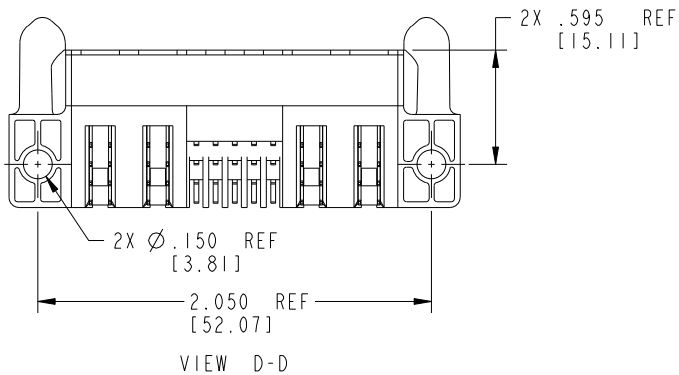
cage code 28536

Tous droits strictement réservés. Reproduction ou communication a des tiers interdite sous quelque forme que ce soit sans autorisation écrite du propriétaire. Propriété de c FCI. Droits de reproduction FCI.



All rights strictly reserved. Reproduction or issue to third parties in any form whatever is not permitted without written authority from the proprietor. Property of FCI. Copyright FCI.

PRODUCT NUMBER  
51875-001\_\_  
NOTE:3



mat'l code		SEE NOTE 2		tolerances unless otherwise specified		CUSTOMER		 www.fciconnect.com	
ltr	ecn no.	dr	date	linear	.XX±.01/0.X±0.3	projection	title		
C					.XXY±.005/0.XX±0.13		2P + 20S + 2P RIGHT ANGLE SPECIAL RECEPTACLE		
				angles	.XXX±.0020/0.XXX±0.051		product family		code
				dr	0° ± 2°	INCH/MM	PwrBlade		213
				engr	J. SHAFFER 02-22-02	scale	size	dwg no	sheet
				chr	J. ALLISON 02-22-02	1:1	A	51875-001	2 of 4
				appd	J. ALLISON 02-22-02				
sheet index	revision sheet								

Pro/E

PDM: Rev: C

STATUS: Released

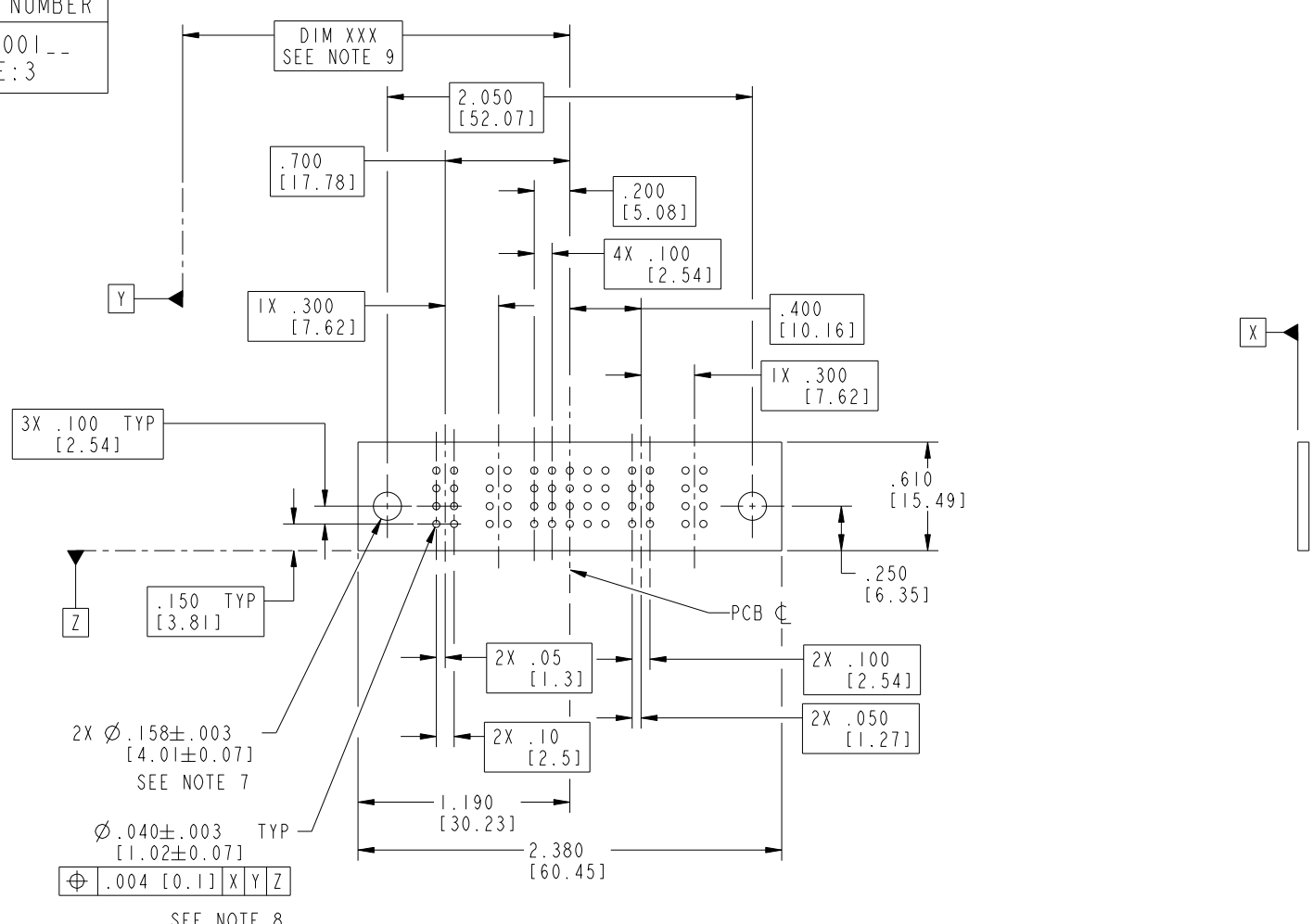
Printed: Sep 21, 2008

Tous droits strictement réservés. Reproduction ou communication a des tiers interdite sous quelque forme que ce soit sans autorisation écrite du propriétaire. Propriété de c FCI. Droits de reproduction FCI.



All rights strictly reserved. Reproduction or issue to third parties in any form whatever is not permitted without written authority from the proprietor. Property of FCI. Copyright FCI.

PRODUCT NUMBER  
51875-001--  
NOTE:3



RECOMMENDED PCB LAYOUT

SEE NOTE 8

mat'l code		SEE NOTE 2		tolerances unless otherwise specified		CUSTOMER		FCI		www.fciconnect.com	
ltr	ecn no.	dr	date	linear	.XX±.01/0.X±0.3	COPY		projection		title	
C					.XX±.005/0.X±0.13	INCH/MM		FIRST ANGLE		2P + 20S + 2P	
				angles	.XXX±.0020/0.XXX±0.051	1:1		product family		RIGHT ANGLE SPECIAL RECEPTACLE	
				dr	0°±2°	scale		PwrBlade		code	
				engr	J. SHAFFER 02-22-02	1:1		size		213	
				chr	J. ALLISON 02-22-02			dwg no		sheet	
				appd	J. ALLISON 02-22-02			A 51875-001		3 of 4	
sheet index	revision sheet										

Pro/E

PDM: Rev: C

STATUS: Released

Printed: Sep 21, 2008

cage code 28536

Tous droits strictement réservés. Reproduction ou communication a des tiers interdite sous quelque forme que ce soit sans autorisation écrite du propriétaire. Propriété de c FCI. Droits de reproduction FCI.



All rights strictly reserved. Reproduction or issue to third parties in any form whatever is not permitted without written authority from the proprietor. Property of FCI. Copyright FCI.

1 | 2

3 |

4

PRODUCT NUMBER  
51875-001--  
NOTE: 3

NOTES:

1. DIMENSIONS AND TOLERANCES ARE IN ACCORDANCE WITH ASME Y14.5M, 1994 UNLESS OTHERWISE SPECIFIED.

CONNECTORS NOTES:

② HOUSING MATERIAL: UL 94 V-0 GLASS FILLED HIGH TEMP THERMO PLASTIC  
POWER CONTACT MATERIAL: COPPER ALLOY  
SIGNAL PIN MATERIAL: COPPER ALLOY

△ 3. SEE ITEM 5 & 6 IN PRINT 10064183 FOR PLATING SPEC OF 51875-001 AND 51875-001LF RESPECTIVELY.

④ "MANUFACTURER" NAME, P/N, AND DATE CODE TO APPEAR ON THIS SURFACE.

⑤ PRODUCT SPECIFICATION GS-12-149.

PCB - NOTES:

⑥ ALL HOLE DIAMETERS ARE FINISHED HOLE SIZE.

⑦ HOLD DOWN THROUGH HOLES ARE UNPLATED.

8.  $\varnothing .0453 \pm 0.0010$  [1.151 ± 0.025] DRILLED HOLES PLATED WITH  
0.0003 [0.008] MIN SnPb OVER .001 [0.03]  
TO .003 [0.08] Cu PLATING TO ACHIEVE  
 $\varnothing .040 \pm .003$  [1.02 ± .07] HOLE.

9. "DIM XXX" TO BE DETERMINED BY THE CUSTOMER.

10. A △ C SYMBOL WILL BE NEXT TO ANY DIMENSION, VIEW, OR NOTE WHICH HAS BEEN MODIFIED WITH THE CURRENT DRAWING REVISION.

mat'l code		SEE NOTE 2		tolerances unless otherwise specified		CUSTOMER		FCI		www.fciconnect.com	
ltr	ecn no.	dr	date	linear	.XX ± .01 / 0.X ± 0.3	projection	COPY		title		
C					.XXX ± .005 / 0.XX ± 0.13				2P + 20S + 2P		
				angles	.XXX ± .0020 / 0.XXX ± 0.051				RIGHT ANGLE SPECIAL RECEPTACLE		
				dr	0° ± 2°				product family		code
				enr	J. SHAFFER 02-22-02	INCH/MM			PwrBlade		213
				chr	J. ALLISON 02-22-02	scale			size	dwg no	sheet
				appd	J. ALLISON 02-22-02	1:1			A	51875-001	4 of 4
sheet index	revision sheet										

1 | 2

Pro/E

PDM: Rev: C

STATUS: Released

Printed: Sep 21, 2008

cage code 22526

4